

ULISSE MAXI

PTZ UNIT FOR DYNAMIC MONITORING OF LARGE OUTDOOR AREAS



ULISSE MAXI + UPTIRN



ULISSE MAXI + UPTWBTAB

DESCRIPTION

ULISSE MAXI is a robust and efficient PTZ camera unit designed to ensure dynamic, non-stop surveillance of large outdoor areas whilst withstanding harsh weather conditions..

This model can house and manage the largest motorised lenses on the market, taking a total weight of up to almost 8 kilos.

This way a single unit can provide a 360° coverage of the area to be monitored.

To ensure detailed images even during the night hours, versions are available with LED illuminators, with infrared light or white light.

The sturdy mechanical structure and the powerful motors of this PTZ are designed to guarantee maximum resistance to high operating stress, vibrations and temperatures between -10°C to +60°C.

The unit is equipped with optical sensors which ensure the accurate control of the position in any condition of use.

The unit is equipped with a wiper for removing rain and dust from the front glass; there is a wide selection of jerry cans with washer pump, different capacities and heads.

Models are available for vision with a thermal camera.

MAIN FEATURES

Weatherproof housing for large-size lenses

Camera and lens maximum allowed weight of 7.6kg (17lb)

Autopan, Preset, Patrol

Variable speed: from 0.02°/s up to 20°/s Pan and Tilt

Horizontal continuous rotation, vertical: from +45° up to -20°

Optical sensors for absolute positioning feedback

Position accuracy: 0.02°

Up to 250 Presets

Integrated wiper

Operating temperature: from -10°C (14°F) up to +60°C (140°F)

Power supply: 230Vac, 24Vac or 120Vac

Options:

- Germanium window for thermal cameras
- Prearrangement for mounting of two UPTIRN LED illuminators

TECHNICAL DATA

GENERAL

Top mount (OTT)

Electronic limit switches

Zero backlash

Max weight camera+lens: 7.6kg (17lb)

Optical sensors for absolute positioning feedback

Maximum number of presets: 250 (VIDEOTEC MACRO)

15 characters string for Area and Preset titling

Configuration through OSM

Addressable up to 255 units through DIP-switch

MECHANICAL

Constructed from aluminium and tecnopolymer

Epoxypolyester powder painting, RAL9002 colour

Horizontal rotation: 360°, continuous rotation

Vertical rotation: from -20° up to +45°

Horizontal speed (variable): from 0.02°/s up to 20°/s

Tilt speed (variable): from 0.02°/s up to 20°/s

Transmission through toothed belt

Accuracy of preset positions: 0.02°

Internal usable area: See drawings

Cable glands: 3xM16

Unit weight: 30kg (66lb)

HOUSING'S WINDOW

Glass window extra clear

- Dimensions: 112mm (4.4in)x95mm (3.7in)

Germanium window

- Usable diameter: 70mm (2.8in)
- Thick: 2mm (0.08in)
- External treatment: antiscratch (Hard Carbon Coating - DLC), antireflection
- Internal treatment: antireflection
- Spectral range: from 7.5µm up to 14µm
- Medium transmittance (from 7.5µm up to 11.5µm): 90%
- Medium transmittance (from 11.5µm up to 14µm): 77%

ELECTRICAL

Supply voltage/Current consumption:

- 230Vac, 0.4A, 50/60Hz
- 24Vac, 4A (8A with LED illuminators), 50/60Hz
- 120Vac, 0.8A, 50/60Hz

Power consumption:

- 100W
- 150-190W max with LED illuminators in 24Vac
- 24W, P&T static, heating switched off

Camera power supply: 12Vdc, 800mA

Cables input section:

- 0.75mm² (18AWG), 120Vac or 230Vac
- 1.5mm² (16AWG), 24Vac

Cables signal section: from 0.14mm² (26AWG) up to 0.5mm² (20AWG)

SERIAL COMMUNICATIONS

RS-232 interface for firmware update

2-ports RS-485 for daisy chain configuration

Configuration of telemetry protocol parameters via DIP-switch

Protocols supported:

- AMERICAN DYNAMICS
- PANASONIC
- PELCO D
- VIDEOTEC MACRO
- VISTA

VIDEO

Video line: coaxial cable (1Vpp, 750hm)

ENVIRONMENT

For installation indoors and outdoors

Operating temperature (with heater): from -10°C (14°F) up to +60°C (140°F)

Relative humidity: from 10% up to 95% (no condensation)

CERTIFICATIONS

Electrical safety (CE): EN60950-1

Electromagnetic compatibility (CE): EN50130-4, EN55022 (Class B), FCC Part 15 (Class B)

Outdoor installation (CE): EN60950-22

IP protection degree (EN60529):

- IP66

Salty fog resistance: EN50130-5, EN60068-2-52

EAC certification

ACCESSORIES	
UPTJBUL	Junction weatherproof box for cables connexion (according UL norm)
UPTIRN108A00	LED illuminator for ULISSE, 10°, 850nm, 24Vac - 12/24Vdc
UPTIRN308A00	LED illuminator for ULISSE, 30°, 850nm, 24Vac - 12/24Vdc
UPTIRN608A00	LED illuminator for ULISSE, 60°, 850nm, 24Vac - 12/24Vdc
UPTIRN109A00	LED illuminator for ULISSE, 10°, 940nm, 24Vac - 12/24Vdc
UPTIRN309A00	LED illuminator for ULISSE, 30°, 940nm, 24Vac - 12/24Vdc
UPTIRN10WA00	LED illuminator for ULISSE, 10°, white light, 24Vac - 12/24Vdc
UPTIRN30WA00	LED illuminator for ULISSE, 30°, white light, 24Vac - 12/24Vdc
UPTIRN60WA00	LED illuminator for ULISSE, 60°, white light, 24Vac - 12/24Vdc
UPTIRPS230N	External power supply for ULISSE series, prearranged for two LED illuminators, and control to synchronize IR illuminators with camera Day/Night switching, IN 230Vac, in weatherproof box. Twilight sensor included.
UPTIRPS100N	External power supply for ULISSE series, prearranged for two LED illuminators, and control to synchronize IR illuminators with camera Day/Night switching, IN 100Vac, in weatherproof box
UPTIRPS120UL	External power supply for ULISSE series, prearranged for two LED illuminators, and control to synchronize IR illuminators with camera Day/Night switching, IN 120Vac, in weatherproof box. Twilight sensor included.
WASPTOV5L5M00	Water tank 5l (1 gal), pump with delivery up to 5m (16ft), IN 230Vac-24Vac-120Vac
WASPTOV23L5M00	Water tank 23l (6 gal), pump with delivery up to 5m (16ft), IN 230Vac-24Vac-120Vac

WASPTOV23L11M00	Water tank 23l (6 gal), pump with delivery up to 11m (36ft) with water floating, IN 230Vac-24Vac-120Vac
WASPT1V23L30M00	Water tank 23l (6 gal), pump with delivery up to 30m (98ft) with water floating, IN 230Vac
WASPT3V23L30M00	Water tank 23l (6 gal), pump with delivery up to 30m (98ft) with water floating, IN 120Vac
WASN1V10L20M00	Tank 10l with integrated manual pump controlled by solenoid valve, delivery head up to 20m (66ft) max, IN 230Vac
WASN2V10L20M00	Tank 10l with integrated manual pump controlled by solenoid valve, delivery head up to 20m (66ft) max, IN 24Vac
WASN3V10L20M00	Tank 10l with integrated manual pump controlled by solenoid valve, delivery head up to 20m (66ft) max, IN 120Vac

RELATED PRODUCTS

SM82A	Video matrix 8 inputs and 2 outputs
SM164B	Video matrix 16 inputs and 4 outputs
SM328B	Matrix 32 inputs and 8 outputs
DCJ	Keyboard for video and telemetry control
DCZ	Universal control keyboard for PC applications

BRACKETS AND ADAPTORS

UPTWBA	Wall bracket with internal cable channel
UPTWBTAB	Parapet bracket with internal cable channel

PACKAGE

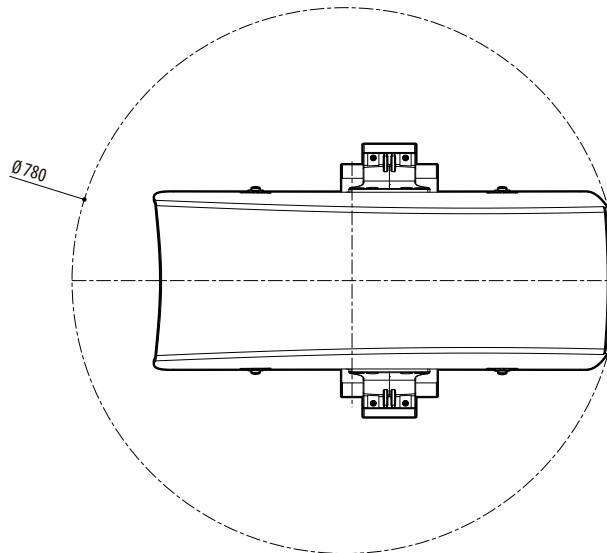
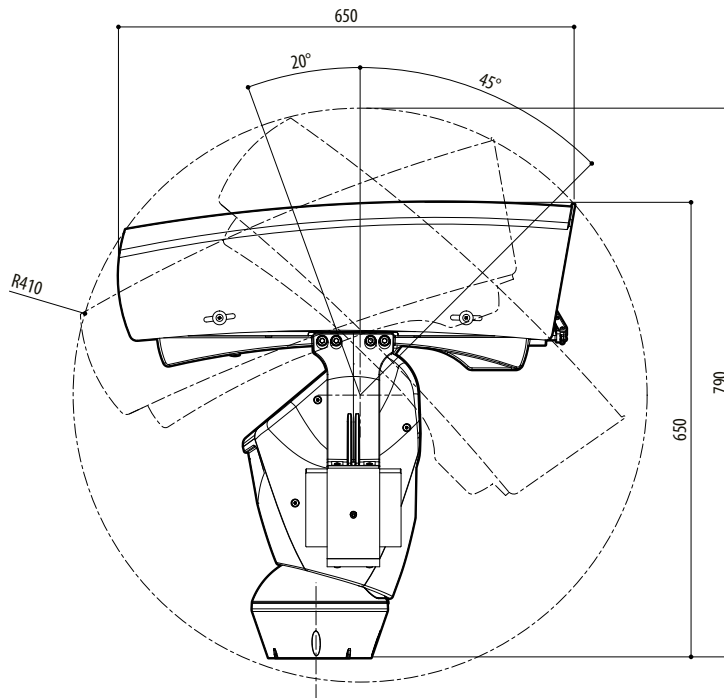
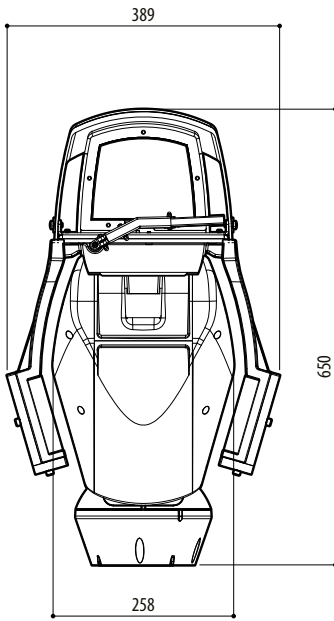
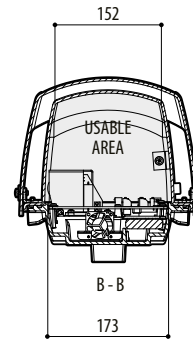
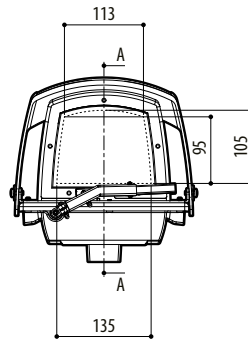
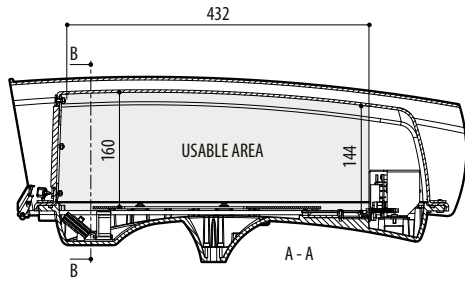
Model Number	Weight	Dimensions (WxHxL)	Master carton
UPT1SLWA000E	38kg (84lb)	76x41x67cm (30x16x26.4in)-	
UPT1SLGA000E	38kg (84lb)	76x41x67cm (30x16x26.4in)-	

ULISSE MAXI - CONFIGURATION OPTIONS							
	Voltage			Options		Video Output	
UPT	1	230Vac	SL	W 230Vac and 120Vac, with wiper	A	0 Analog control	00E
	2	24Vac		J 24Vac, with wiper and prearrangement for mounting of two UPTIRN (illuminators not included)			
	3	120Vac		G With germanium front window for thermal camera applications			

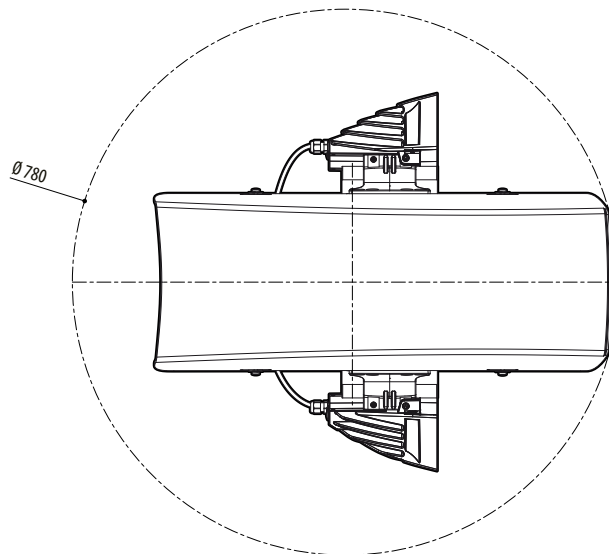
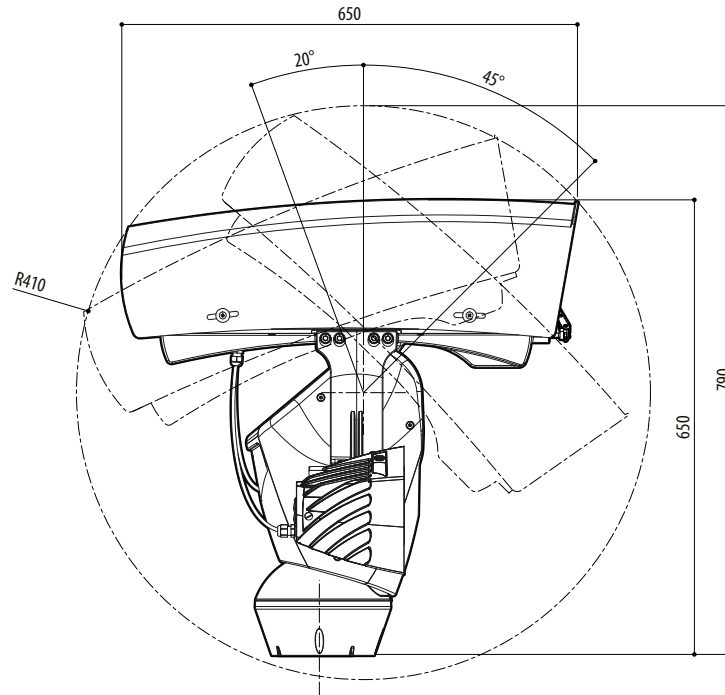
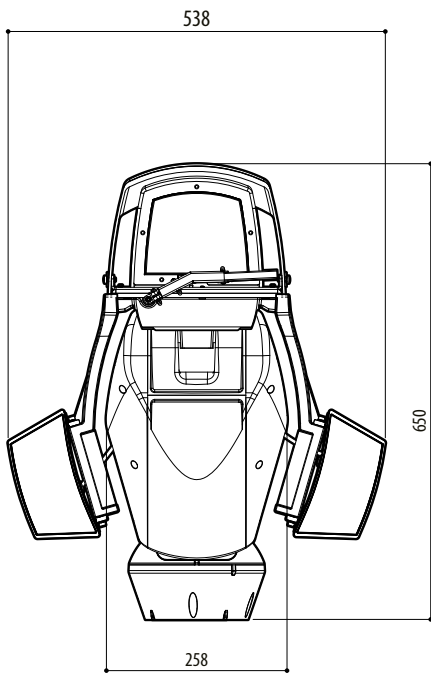
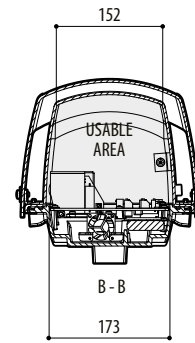
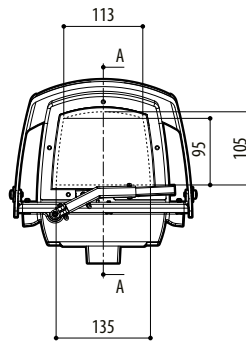
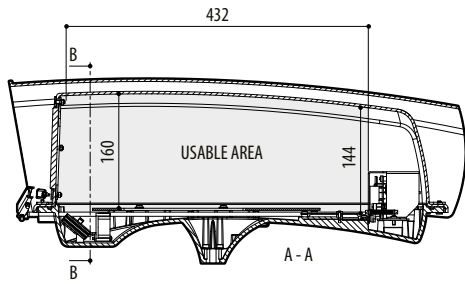
Not all combinations are possible.

TECHNICAL DRAWINGS

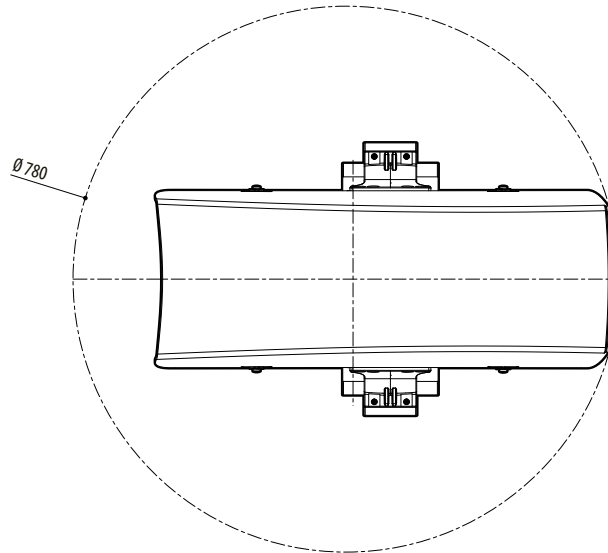
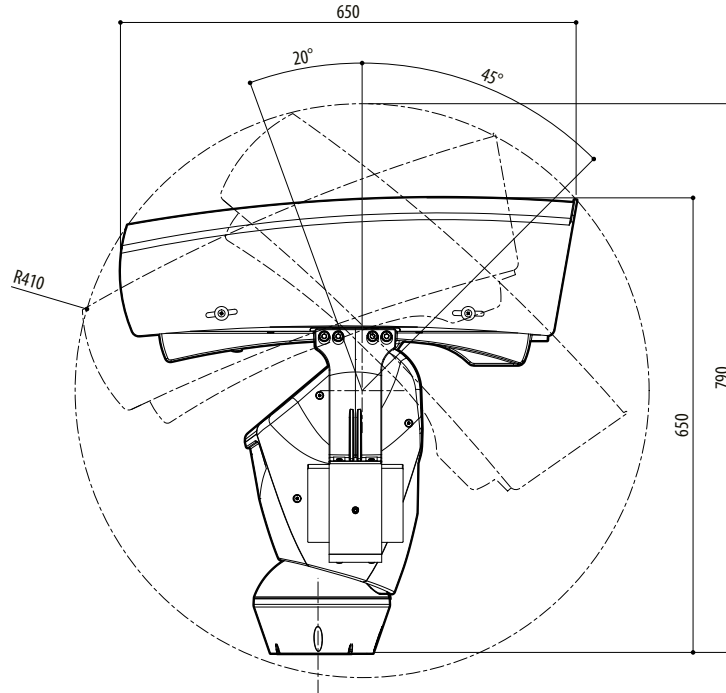
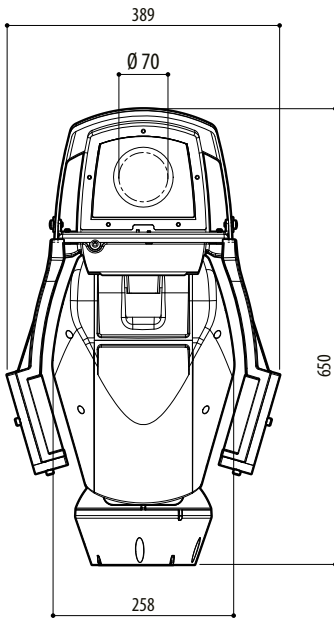
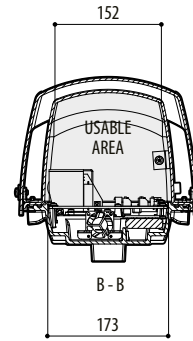
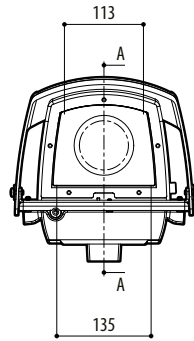
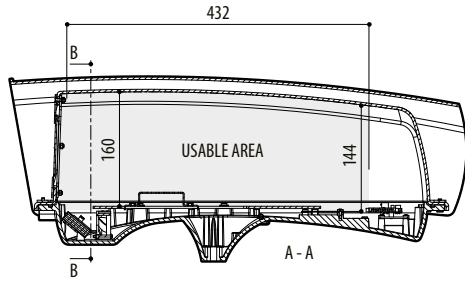
The dimensions of the drawings are in millimetres.



ULISSE MAXI



ULISSE MAXI, VERSION PRE-ARRANGED FOR THE INSTALLATION OF TWO LED ILLUMINATORS



ULISSE MAXI, VERSION FOR THERMAL CAMERAS